

BALDOR® • ***RELIANCE***

Product Information Packet

EM3665T

5HP,1750RPM,3PH,60HZ,184T,0643M,TEFC,F1

| Part Detail | | | | | | | |
|-------------|------|----------------|-------|-------------|----------|---------------|------------|
| Revision: | F | Status: | PRD/A | Change #: | | Proprietary: | No |
| Type: | AC | Prod. Type: | 0641M | Elec. Spec: | 06WGX182 | CD Diagram: | CD0005 |
| Enclosure: | TEFC | Mfg Plant: | | Mech. Spec: | 06H294 | Layout: | 06LYH294 |
| Frame: | 184T | Mounting: | F1 | Poles: | 04 | Created Date: | 08-04-2010 |
| Base: | RG | Rotation: | R | Insulation: | F | Eff. Date: | 10-16-2015 |
| Leads: | 9#16 | | | | | Replaced By: | |
| Literature: | | Elec. Diagram: | | | | | |

| | | | | | | | |
|----------------------------|-----------------------------------|----------------|------|-----|---|----|---|
| Nameplate NP3441LUA | | | | | | | |
| CAT.NO. | EM3665T | | | | | | |
| SPEC. | 06H294X182G1 | | | | | | |
| HP | 5 | | | | | | |
| VOLTS | 230/460 | | | | | | |
| AMP | 13.2/6.6 | | | | | | |
| RPM | 1750 | | | | | | |
| FRAME | 184T | HZ | 60 | PH | 3 | | |
| SER.F. | 1.15 | CODE | J | DES | B | CL | F |
| NEMA-NOM-EFF | 89.5 | PF | 79 | | | | |
| RATING | 40C AMB-CONT | | | | | | |
| CC | 010A | USABLE AT 208V | 14 | | | | |
| DE | 6206 | ODE | 6205 | | | | |
| ENCL | TEFC | SN | | | | | |
| VPWM INVERTER READY | | | | | | | |
| CT6-60H(10:1)VT3-60H(20:1) | | | | | | | |
| | 50Hz 5HP 190/380V 15.8/7.9A sf1.0 | | | | | | |

| Parts List | | |
|----------------|--|----------|
| Part Number | Description | Quantity |
| SA201046 | SA 06H294X182G1 | 1.000 EA |
| RA188351 | RA 06H294X182G1 | 1.000 EA |
| 36FN3000C01SP | EXFN, PLASTIC, 5.25 OD, .912 ID | 1.000 EA |
| S/P107-000-001 | SUPER E PROC'S-FS, WS & CK PLTS | 1.000 EA |
| HW3201A05 | 3/8-16 EYEBOLT | 1.000 EA |
| 06CB3000 | BALDOR CONDUIT BOX CAST | 1.000 EA |
| 06GS1000 | GASKET,CONDUIT BOX | 1.000 EA |
| 51XW2520A12 | SCREW, HEX SER SLT HD, ZN, 1/4-20 X .75 | 2.000 EA |
| 51XW2520A12 | .25-20 X .75, TAPTITE II, HEX WSHR SLTD | 2.000 EA |
| 11XW1032G06 | 10-32 X .38, TAPTITE II, HEX WSHR SLTD U | 1.000 EA |
| HW3001B01 | BRASS CUP WASHER, FOR #8 SCREW | 1.000 EA |
| 36EP1101B47 | FREP TEFC 205 W/GRSR, FAN CVR, LESS SW B | 1.000 EA |
| HW4500A01 | 1641B(ALEMITE)400 UNIV, GREASE FITT | 1.000 EA |
| HW5100A05 | WVY WSHR F/205 & 304 BRGS | 1.000 EA |
| 36EP1100A01 | PU ENDPLATE MACH | 1.000 EA |
| HW4500A01 | 1641B(ALEMITE)400 UNIV, GREASE FITT | 1.000 EA |
| HA3101A34 | THRUBOLT- 1/4-20 X 10.375 | 4.000 EA |
| XY2520A12 | 1/4-20 HEX NUT, DIRECTIONAL SERRATIONS | 4.000 EA |
| 51XB1214A16 | 12-14X1.00 HXWSSLD SERTYB | 1.000 EA |
| 36FH4009A03SP | IEC FH , W/ AUTOPHERETIC PRIMER | 1.000 EA |
| 51XW1032A06 | 10-32 X .38, TAPTITE II, HEX WSHR SLTD S | 3.000 EA |
| 06CB3500 | BALDOR CONDUIT BOX LID | 1.000 EA |
| 06GS1001 | BALDOR CONDUIT BOX GASKET | 1.000 EA |
| HW2501E16 | 3KEY, 1/4 SQ X 1.750 | 1.000 EA |

| Parts List (continued) | | |
|-------------------------------|--|-----------------|
| Part Number | Description | Quantity |
| HA7000A02 | KEY RETAINER RING, 1 1/8 DIA, 1 3/8 DIA | 1.000 EA |
| 85XU0407S04 | 4X1/4 U DRIVE PIN STAINLESS | 2.000 EA |
| LB1115N | LABEL,LIFTING DEVICE (ON ROLLS) | 1.000 EA |
| MJ1000A75 | GREASE, POLYREX EM EXXON (USe 4824-15A) | 0.050 LB |
| MG1000Y03 | MUNSELL 2.53Y 6.70/ 4.60, GLOSS 20, | 0.028 GA |
| LC0005E01 | CONN.DIA./WARNING LABEL (LC0005/LB1119N) | 1.000 EA |
| NP3441LUA | ALUM SUPER-E VPWM INV READY UL | 1.000 EA |
| 36PA1001 | PKG GRP, PRINT PK1017A06 | 1.000 EA |
| MN416A01 | TAG-INSTAL-MAINT no wire (1200/bx) 11/14 | 1.000 EA |

AC Induction Motor Performance Data

Record # 34381 - Typical performance - not guaranteed values

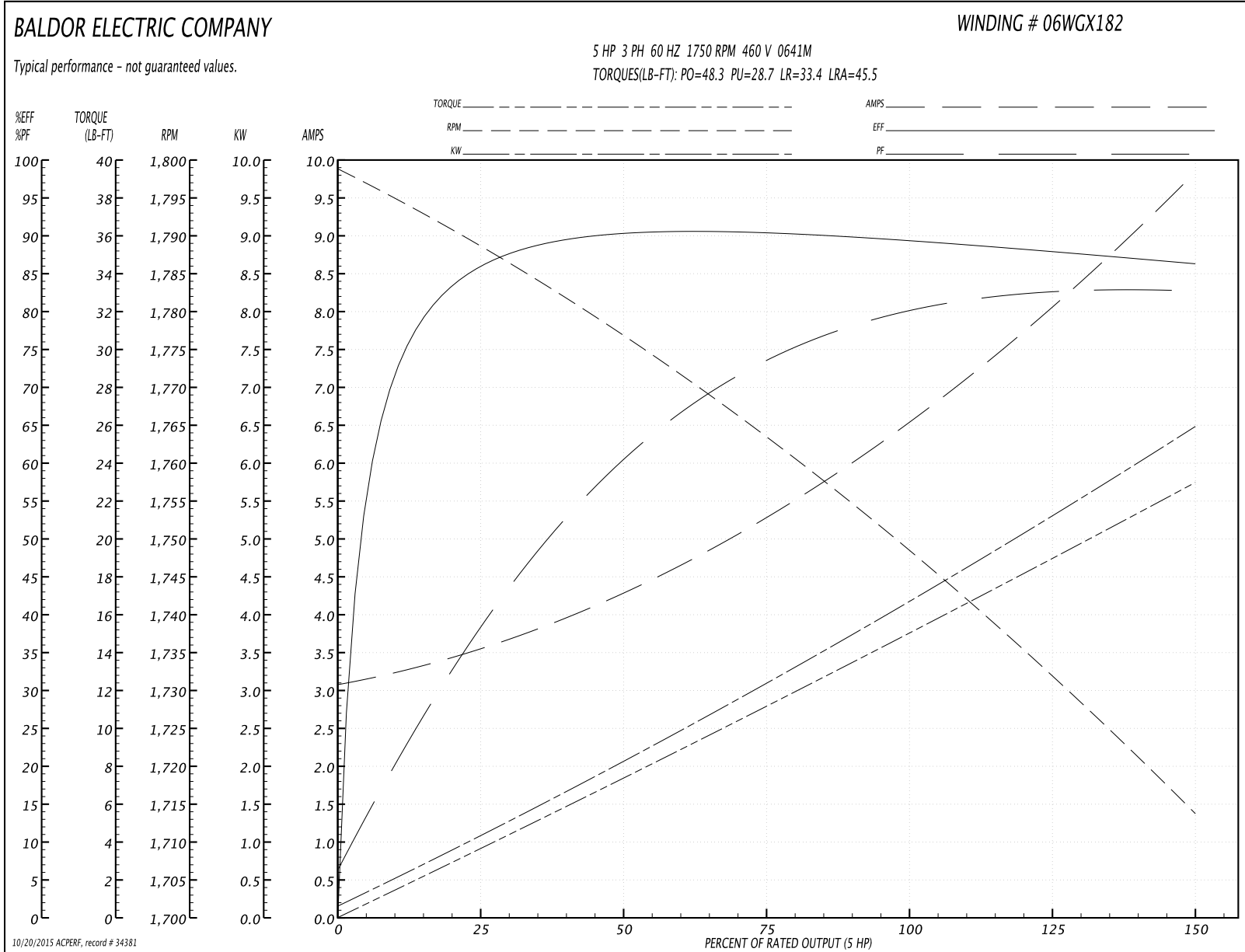
| | | |
|-------------------------------|--------------------|------------------------|
| Winding: 06WGX182-R004 | Type: 0641M | Enclosure: TEFC |
|-------------------------------|--------------------|------------------------|

| Nameplate Data | | | | 460 V, 60 Hz: High Voltage Connection | |
|-----------------------|--------------|--------------|----|--|--------------------------|
| Rated Output (HP) | 5 | | | Full Load Torque | 15.06 LB-FT |
| Volts | 230/460 | | | Start Configuration | direct on line |
| Full Load Amps | 13.2/6 | | | Breakdown Torque | 48.3 LB-FT |
| R.P.M. | 1750 | | | Pull-up Torque | 28.7 LB-FT |
| Hz | 60 | Phase | 3 | Locked-rotor Torque | 33.4 LB-FT |
| NEMA Design Code | B | KVA Code | J | Starting Current | 45.5 A |
| Service Factor (S.F.) | 1.15 | | | No-load Current | 3.15 A |
| NEMA Nom. Eff. | 89.5 | Power Factor | 79 | Line-line Res. @ 25°C | 2.48 Ω |
| Rating - Duty | 40C AMB-CONT | | | Temp. Rise @ Rated Load | 52°C |
| S.F. Amps | | | | Temp. Rise @ S.F. Load | 65°C |
| | | | | Rotor inertia | 0.382 LB-FT ² |

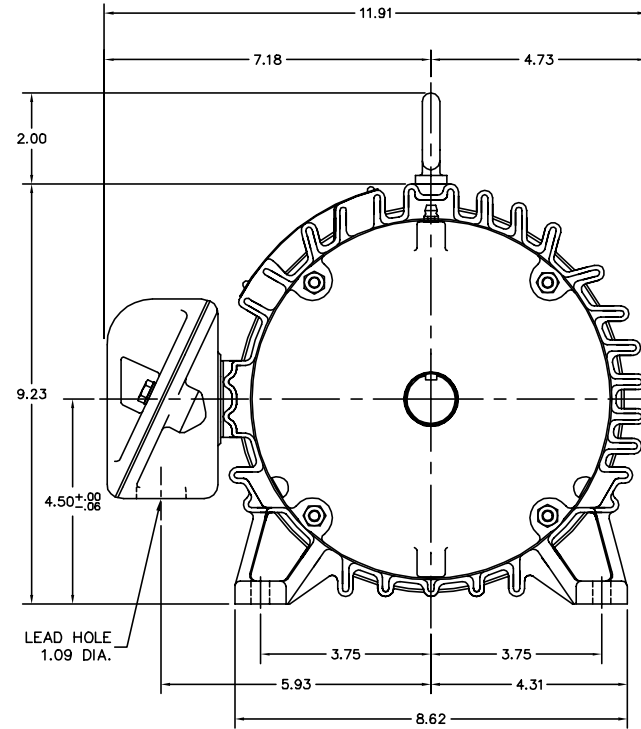
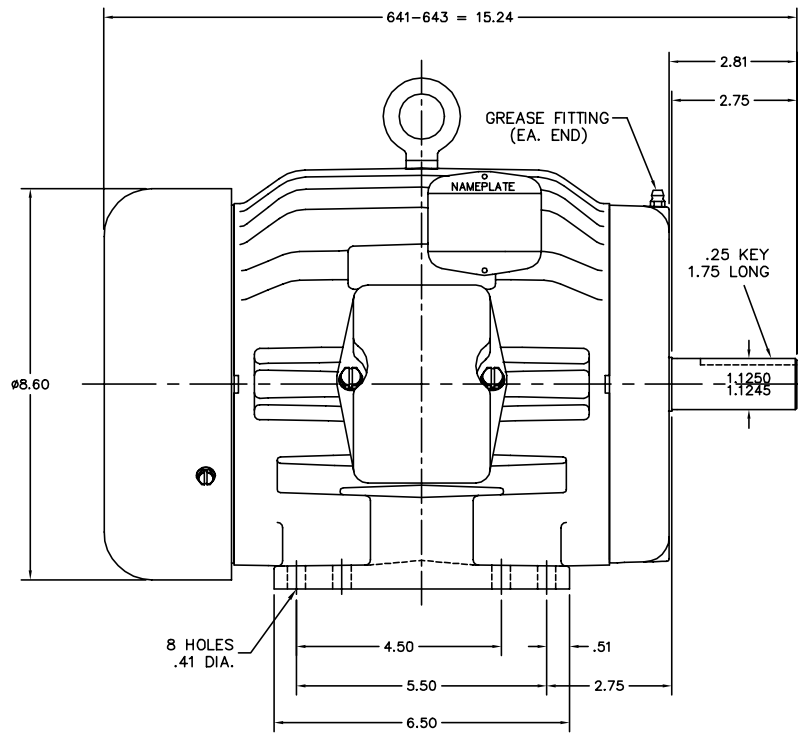
Load Characteristics 460 V, 60 Hz, 5 HP

| % of Rated Load | 25 | 50 | 75 | 100 | 125 | 150 | S.F. |
|-----------------|--------|--------|------|--------|--------|--------|------|
| Power Factor | 41 | 63 | 73 | 79 | 82 | 83 | 81 |
| Efficiency | 85.5 | 89.8 | 90.3 | 89.5 | 88.1 | 86.3 | 88.7 |
| Speed | 1787.9 | 1775.8 | 1763 | 1748.8 | 1732.3 | 1713.2 | 1739 |
| Line amperes | 3.48 | 4.26 | 5.34 | 6.63 | 8.11 | 9.79 | 7.52 |

Performance Graph at 460V, 60Hz, 5.0HP Typical performance - Not guaranteed values



06LYH294



CUSTOMER IS RESPONSIBLE FOR DETERMINING THAT MOTOR PERFORMANCE IS SUITABLE IN THE APPLICATION.

| | | | |
|----------------------------------|--------|------------------------------|-------------|
| REV. DESC: 06SH1300 WAS 06SH1726 | | | |
| REV. LTR: B | BY: OD | REVISED: 07:27:03 05/28/2003 | TDR: 294094 |
| FILE: AAA00077621 | | REF: 06LYH294 | |
| MTL: - | | | |

BALDOR ELECTRIC Co.

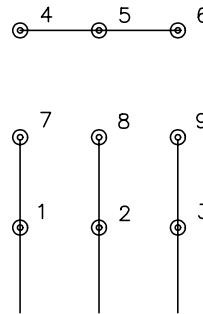
HOR 182-4T TEFC 306M (641-643 ONLY)

06LYH294

CD0005

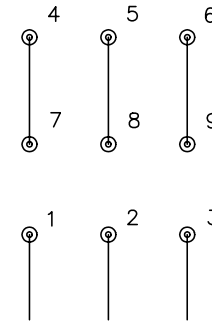


LOW VOLTAGE
(2Y)



LINE

HIGH VOLTAGE
(1Y)



LINE

NOTES:

1. INTERCHANGE ANY TWO LINE LEADS TO REVERSE ROTATION.
2. OPTIONAL THERMOSTATS ARE PROVIDED WHEN SPECIFIED.
3. ACTUAL NUMBER OF INTERNAL PARALLEL CIRCUITS MAY BE A MULTIPLE OF THOSE SHOWN ABOVE.
4. LEAD COLORS ARE OPTIONAL. LEADS MUST ALWAYS BE NUMBERED AS SHOWN.

| | | | |
|---|---------|-------------------------|--------------|
| REV. DESC: REVISE TO SHOW OPTIONAL COLORS | | | |
| REV. LTR: E | BY: JLP | REVISED: 01/19/99 10:15 | TDR: 0171435 |
| 9000D | | FILE: AAA00005140 | MDL: - |
| | | MTL: - | |

BALDOR ELECTRIC Co.

3PH, DV, 9 LEADS

CD0005