

BALDOR® • ***RELIANCE***

Product Information Packet

EM3711T

10HP,3490RPM,3PH,60HZ,215T,3729M,TEFC,F1

Part Detail							
Revision:	J	Status:	PRD/A	Change #:		Proprietary:	No
Type:	AC	Prod. Type:	3729M	Elec. Spec:	37WGS864	CD Diagram:	CD0005
Enclosure:	TEFC	Mfg Plant:		Mech. Spec:	37H244	Layout:	37LYH244
Frame:	215T	Mounting:	F1	Poles:	02	Created Date:	01-03-2011
Base:	RG	Rotation:	R	Insulation:	F	Eff. Date:	10-15-2015
Leads:	9#14					Replaced By:	
Literature:		Elec. Diagram:					

Nameplate NP1259L							
CAT.NO.	EM3711T						
SPEC.	37H244S864G2						
HP	10						
VOLTS	208-230/460						
AMP	24.9-23.6/11.8						
RPM	3490						
FRAME	215T	HZ	60	PH	3		
SER.F.	1.15	CODE	G	DES	B	CL	F
NEMA-NOM-EFF	90.2	PF	87				
RATING	40C AMB-CONT						
CC	010A	USABLE AT 208V					
DE	6307	ODE	6206				
ENCL	TEFC	SN					

Parts List		
Part Number	Description	Quantity
SA214702	SA 37H244S864G2	1.000 EA
RA201904	RA 37H244S864G2	1.000 EA
36FN3000C02SP	EXFN, PLASTIC, 5.25 OD, 1.175 ID	1.000 EA
S/P107-000-001	SUPER E PROC'S-FS, WS & CK PLTS	1.000 EA
HW3200A01	3/8-16X3/4 I-BLT WELDED F/S	1.000 EA
37CB3006	37 CB CASTING W/1.38 LEAD HOLE @ 6:00	1.000 EA
37GS1000SP	GASKET, CONDUIT BOX STD., .06 THICK LEXI	1.000 EA
51XW2520A12	.25-20 X .75, TAPTITE II, HEX WSHR SLTD	2.000 EA
11XW1032G06	10-32 X .38, TAPTITE II, HEX WSHR SLTD U	1.000 EA
37FE3101A01	FR ENDPLATE, FOR ROUTING PURPOSES	1.000 EA
HW4500A01	1641B(ALEMITE)400 UNIV, GREASE FITT	1.000 EA
HW5100A06	W2420-025 WVY WSHR (WB)	1.000 EA
37PE3100A01	PUEP ASSEMBLY - ROUTING PUPROSES	1.000 EA
HW4500A01	1641B(ALEMITE)400 UNIV, GREASE FITT	1.000 EA
XY3118A12	5/16-18 HEX NUT DIRECTIONAL SERRATION	4.000 EA
07FH4007SP	IEC FH W/GRSR, NOTCH @ 6:00 & 3 FAN CVR	1.000 EA
51XW1032A06	10-32 X .38, TAPTITE II, HEX WSHR SLTD S	3.000 EA
37CB4516	LIPPED LID FOR 37 FRAME NEC KOBX	1.000 EA
37GS1008SP	37 GS FOR CB LID - LEXIDE	1.000 EA
51XW0832A07	8-32 X .44, TAPTITE II, HEX WSHR SLTD SE	4.000 EA
HW2501F21	KEY, 5/16 SQ X 2.375	1.000 EA
HA7000A02	KEY RETAINER RING, 1 1/8 DIA, 1 3/8 DIA	1.000 EA
85XU0407S04	4X1/4 U DRIVE PIN STAINLESS	2.000 EA
LB1115N	LABEL,LIFTING DEVICE (ON ROLLS)	1.000 EA

Parts List (continued)		
Part Number	Description	Quantity
MJ1000A75	GREASE, POLYREX EM EXXON (USe 4824-15A)	0.050 LB
51XB1214A20	12-14X1.25 HXWSSLD SERTYB	1.000 EA
HA3104A14	THRUBOLT- 5/16-18 X12.125(OHIO)	4.000 EA
MG1000Y03	MUNSELL 2.53Y 6.70/ 4.60, GLOSS 20,	0.028 GA
LC0005E01	CONN.DIA./WARNING LABEL (LC0005/LB1119N)	1.000 EA
NP1259L	ALUM SUPER-E UL CSA-EEV CC NEMA PREMIUM	1.000 EA
G0PA1000	PKG GRP, PRINT PK1026A06	1.000 EA
MN416A01	TAG-INSTAL-MAINT no wire (1200/bx) 11/14	1.000 EA

Accessories		
Part Number	Description	Multiplier
37-3301	C FACE KIT	P1

AC Induction Motor Performance Data

Record # 35772 - Typical performance - not guaranteed values

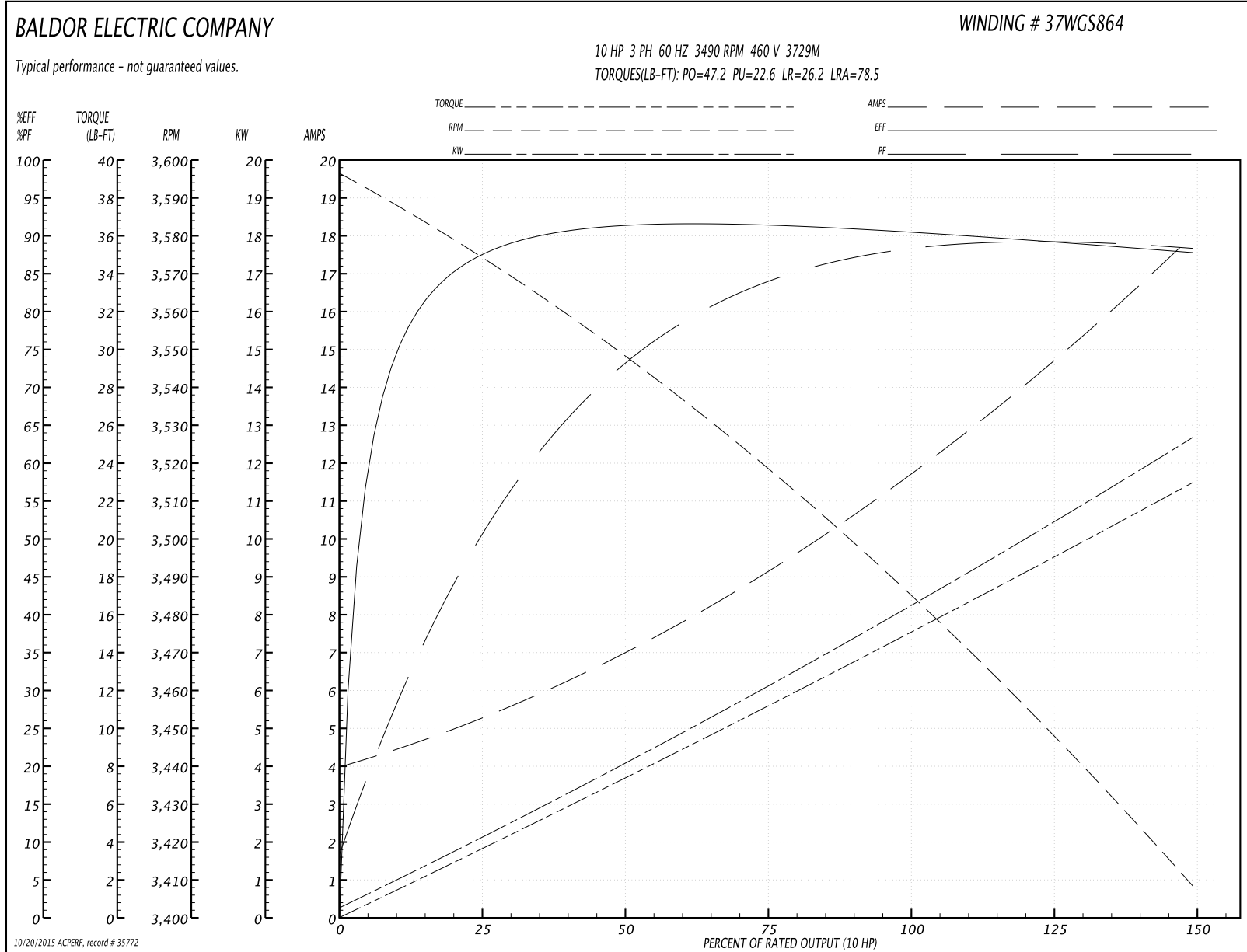
Winding: 37WGS864-R002	Type: 3729M	Enclosure: TEFC
-------------------------------	--------------------	------------------------

Nameplate Data				460 V, 60 Hz: High Voltage Connection	
Rated Output (HP)	10			Full Load Torque	15 LB-FT
Volts	230/460			Start Configuration	direct on line
Full Load Amps	23.6/11.8			Breakdown Torque	47.2 LB-FT
R.P.M.	3490			Pull-up Torque	22.6 LB-FT
Hz	60	Phase	3	Locked-rotor Torque	26.2 LB-FT
NEMA Design Code	B	KVA Code	G	Starting Current	78.5 A
Service Factor (S.F.)	1.15			No-load Current	4.17 A
NEMA Nom. Eff.	90.2	Power Factor	87	Line-line Res. @ 25°C	0.972 Ω
Rating - Duty	40C AMB-CONT			Temp. Rise @ Rated Load	78°C
S.F. Amps				Temp. Rise @ S.F. Load	96°C
				Rotor inertia	0.264 LB-FT ²

Load Characteristics 460 V, 60 Hz, 10 HP

% of Rated Load	25	50	75	100	125	150	S.F.
Power Factor	53	74	84	87	89	89	88
Efficiency	86.8	91	91.3	90.3	89.4	87.7	90
Speed	3576	3549	3518	3486	3450	3408	3464
Line amperes	4.98	6.87	9.13	11.8	14.7	17.9	13.5

Performance Graph at 460V, 60Hz, 10.0HP Typical performance - Not guaranteed values



AC Induction Motor Performance Data

Record # 50964 - Typical performance - not guaranteed values

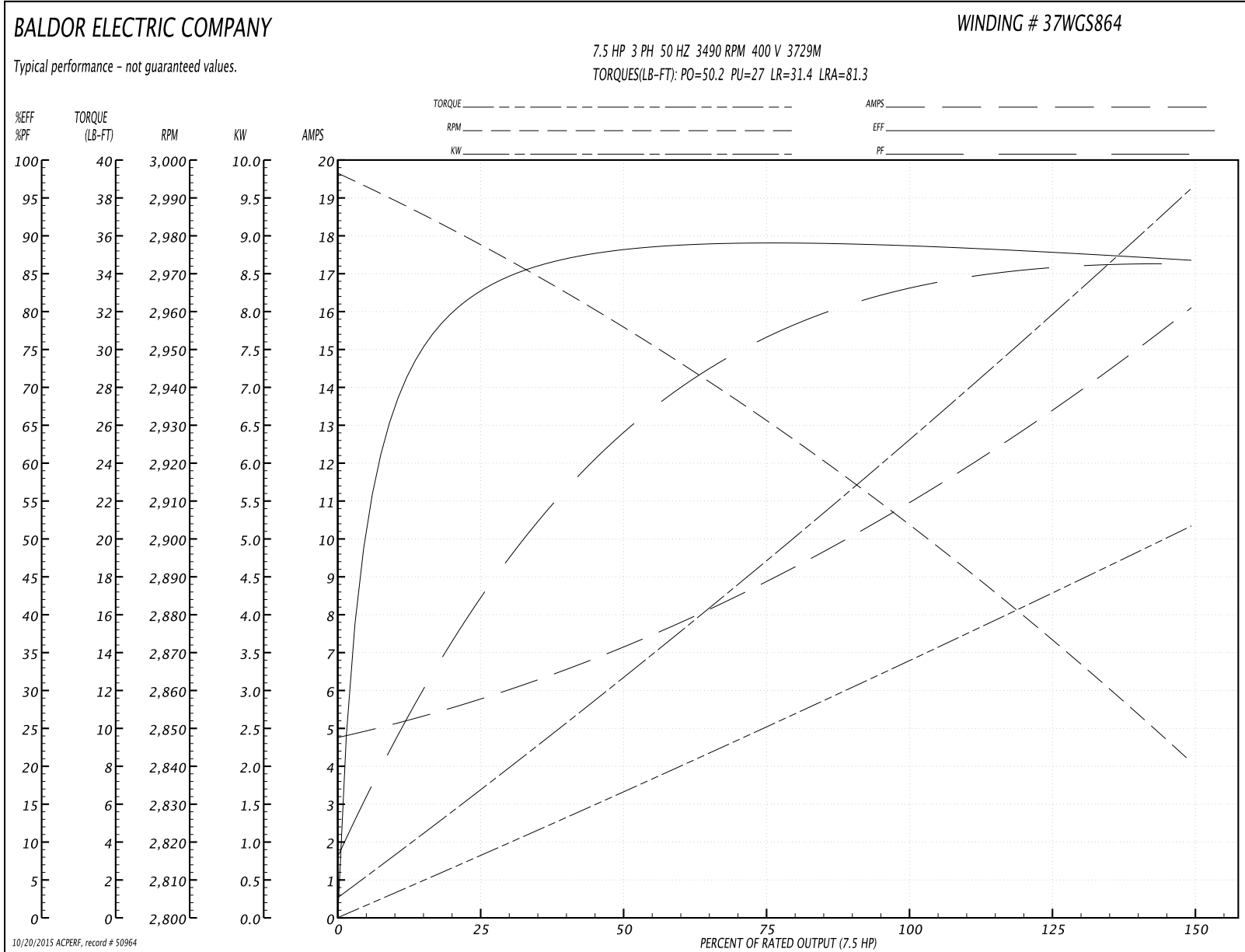
Winding: 37WGS864-R002	Type: 3729M	Enclosure: TEFC
-------------------------------	--------------------	------------------------

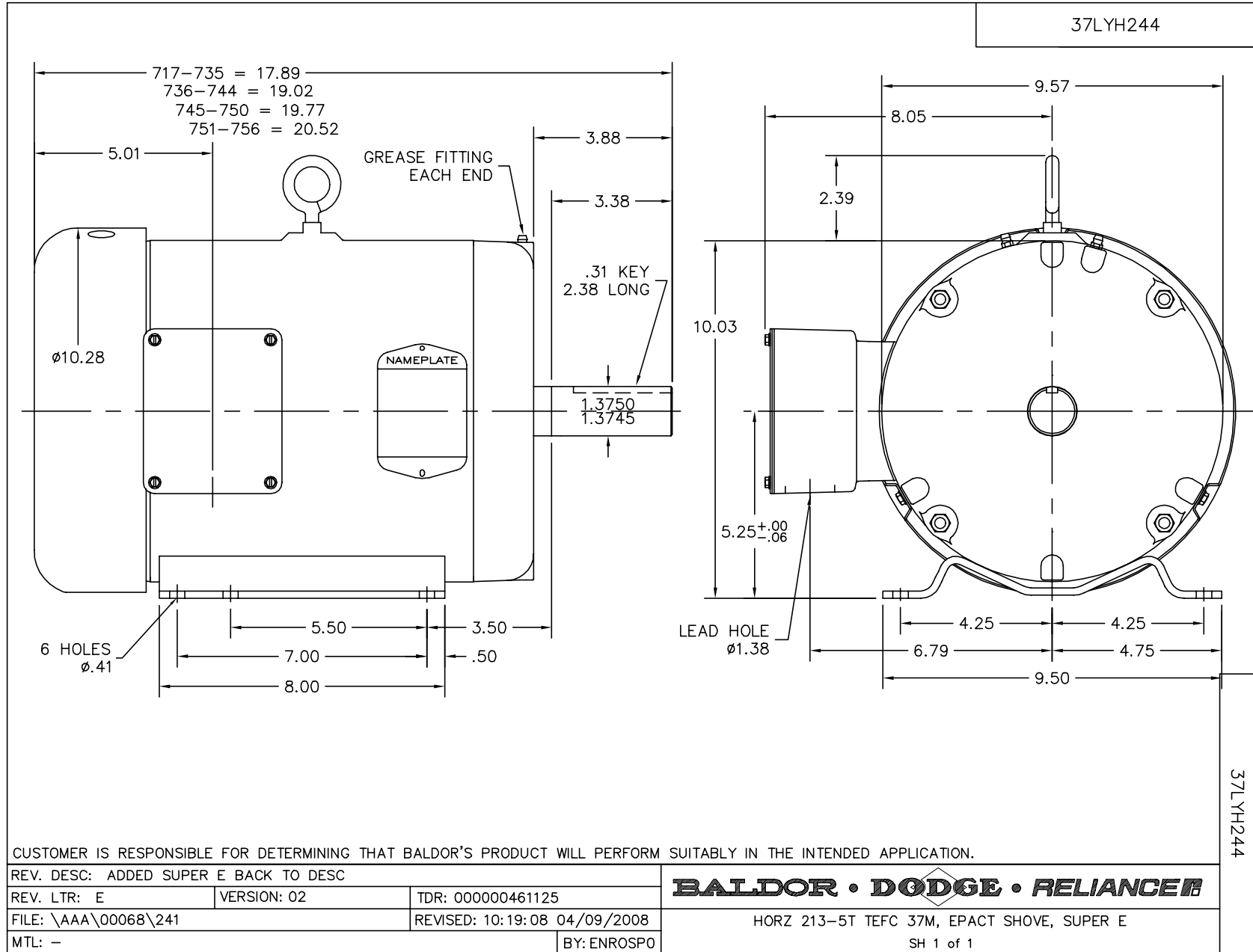
Nameplate Data				400 V, 50 Hz: High Voltage Connection	
Rated Output (HP)	10			Full Load Torque	13.5 LB-FT
Volts	208-230/460			Start Configuration	direct on line
Full Load Amps	24.9-23.6/11.8			Breakdown Torque	50.2 LB-FT
R.P.M.	3490			Pull-up Torque	27 LB-FT
Hz	60	Phase	3	Locked-rotor Torque	31.4 LB-FT
NEMA Design Code	B	KVA Code	G	Starting Current	81.3 A
Service Factor (S.F.)	1.15			No-load Current	4.91 A
NEMA Nom. Eff.	90.2	Power Factor	87	Line-line Res. @ 25°C	0.972 Ω
Rating - Duty	40C AMB-CONT			Temp. Rise @ Rated Load	70°C
S.F. Amps				Temp. Rise @ S.F. Load	85°C
				Rotor inertia	0.264 LB-FT ²

Load Characteristics 400 V, 50 Hz, 7.5 HP

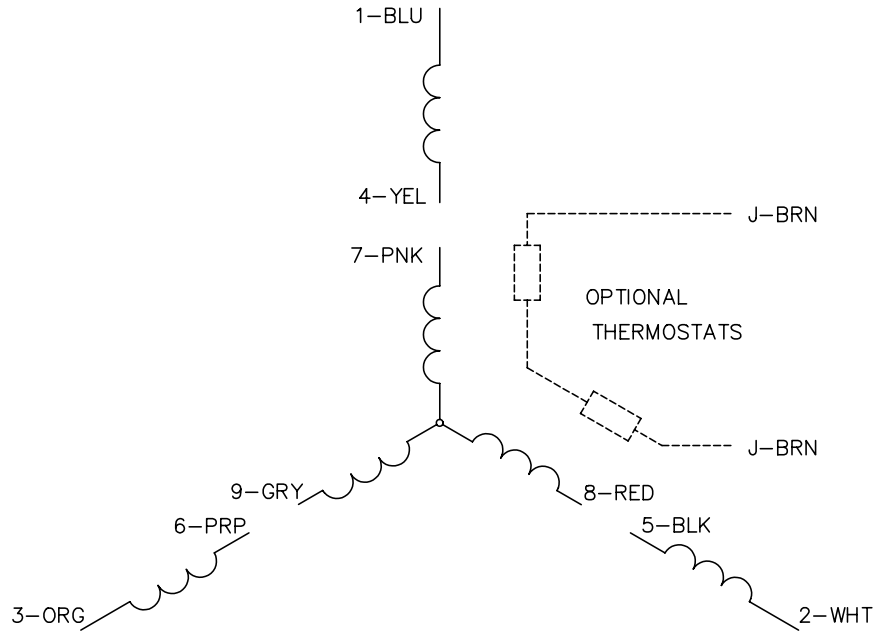
% of Rated Load	25	50	75	100	125	150	S.F.
Power Factor	44	64	76	82	85	87	84
Efficiency	81.3	87.7	89.2	89	88	86.7	88.4
Speed	2979	2957	2931	2904	2875	2841	2887
Line amperes	5.53	7.06	8.86	11	13.4	16	12.4

Performance Graph at 400V, 50Hz, 7.5HP Typical performance - Not guaranteed values

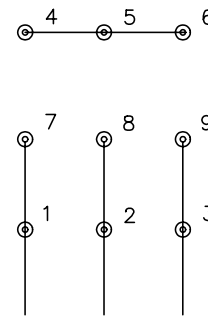




CD0005

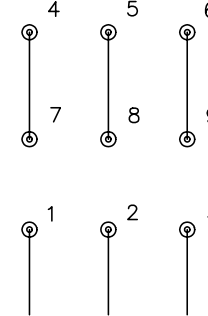


LOW VOLTAGE
(2Y)



LINE

HIGH VOLTAGE
(1Y)



LINE

NOTES:

1. INTERCHANGE ANY TWO LINE LEADS TO REVERSE ROTATION.
2. OPTIONAL THERMOSTATS ARE PROVIDED WHEN SPECIFIED.
3. ACTUAL NUMBER OF INTERNAL PARALLEL CIRCUITS MAY BE A MULTIPLE OF THOSE SHOWN ABOVE.
4. LEAD COLORS ARE OPTIONAL. LEADS MUST ALWAYS BE NUMBERED AS SHOWN.

REV. DESC: REVISE TO SHOW OPTIONAL COLORS			
REV. LTR: E	BY: JLP	REVISED: 01/19/99 10:15	TDR: 0171435
9000D		FILE: AAA00005140	MDL: -
		MTL: -	

BALDOR ELECTRIC Co.

3PH, DV, 9 LEADS

CD0005