

# **BALDOR**® • ***RELIANCE***

## **Product Information Packet**

# **GDL1607T**

**7.5HP,1725RPM,1PH,60HZ,215TZ,3744LC,ODTF**

Part Detail							
Revision:	D	Status:	PRD/A	Change #:		Proprietary:	No
Type:	AC	Prod. Type:	3744LC	Elec. Spec:	37WG1630	CD Diagram:	CD0086
Enclosure:	ODTF	Mfg Plant:		Mech. Spec:	37M320	Layout:	37LYM320
Frame:	215TZ	Mounting:	F1	Poles:	04	Created Date:	02-09-2010
Base:	RG	Rotation:	R	Insulation:	F	Eff. Date:	09-10-2015
Leads:	2#8 A PH,2#14 B PH					Replaced By:	
Literature:		Elec. Diagram:					

<b>Nameplate NP1256L</b>							
CAT.NO.	GDL1607T						
SPEC.	37M320-1630G1						
HP	7.5						
VOLTS	230						
AMP	32						
RPM	1725						
FRAME	215TZ	HZ	60	PH	1		
SER.F.	1.15	CODE	J	DES	L	CLASS	F
NEMA-NOM-EFF	82.5	PF	90				
RATING	40C AMB-CONT						
CC	USABLE AT 208V						
DE	6307	ODE	6206				
ENCL	ODTF	SN					

Parts List		
Part Number	Description	Quantity
SA190810	SA 37M320-1630G1	1.000 EA
RA178475	RA 37M320-1630G1	1.000 EA
OC3060F10	CYL OIL CAP 60MFD/370V	1.000 EA
EC1216C06SP	ELEC CAP, 216-259 MFD, 250V, 2.06D X 4.	3.000 EA
HW3200A01	3/8-16X3/4 I-BLT WELDED F/S	1.000 EA
37CB5001A25	OPEN, A01 BOX W/LID, W/GASKETS - NO THRM	1.000 EA
37FE3200A03	FR ENDPLATE, FOR ROUTING PURPOSES	1.000 EA
HW4500A19	1/4-28X1/4 SLOTTED PLUG F/S	1.000 EA
SP1008A01	BAFFLE, MODEL 36 & 37	1.000 EA
13XF0832A08	8-32 X.50 PAN HD,SLTD, TYPE F SCREW, ZIN	2.000 EA
HW5100A06	W2420-025 WVY WSHR (WB)	1.000 EA
37EP3400A08	EP PU OPEN 307 BRG W/GRSR, BAFFLE & SCRE	1.000 EA
37AD2000A01	BAFFLE PLATE, STAMPED PLATED	1.000 EA
60XW0632A06	6-32 X 3/8 TORX HEAD SCREW TAPTITE II	4.000 EA
HW4500A19	1/4-28X1/4 SLOTTED PLUG F/S	1.000 EA
HA1222	RODENT SCREEN - 37 C-FACE MOTORS	4.000 EA
51XW1032A06	10-32 X .38, TAPTITE II, HEX WSHR SLTD S	4.000 EA
HW1000A10	#10 FLAT WASHER (SAE)	4.000 EA
XY3118A12	5/16-18 HEX NUT DIRECTIONAL SERRATION	4.000 EA
10XN2520A28	1/4-20X 1 3/4 HEX HD	4.000 EA
HW1001A25	LOCKWASHER 1/4, ZINC PLT .493 OD, .255 I	4.000 EA
37FN3000A01SP	EXFN, PLASTIC, 8.50 OD, 1.175 ID	1.000 EA
10XN2520A24	1/4-20X 1 1/2 HEX HD X	1.000 EA
XY2520A11	254-20 SQUARE NUT	1.000 EA

<b>Parts List (continued)</b>		
<b>Part Number</b>	<b>Description</b>	<b>Quantity</b>
37FH4000A05SP	DRIP COVER, W/ AUTOPHERETIC PRIMER	1.000 EA
51XW1032A06	10-32 X .38, TAPTITE II, HEX WSHR SLTD S	3.000 EA
HA1005A07SP	SLINGER, OD 2.25, ID 1.344, 307 BRG	1.000 EA
HW2501F21	KEY, 5/16 SQ X 2.375	1.000 EA
HA7000A02	KEY RETAINER RING, 1 1/8 DIA, 1 3/8 DIA	1.000 EA
LB1115N	LABEL,LIFTING DEVICE (ON ROLLS)	1.000 EA
85XU0407S04	4X1/4 U DRIVE PIN STAINLESS	2.000 EA
MJ1000A75	GREASE, POLYREX EM EXXON (USe 4824-15A)	0.050 LB
MG1025Z20	ACTIVATOR WILKOFAS 060.32	0.010 GA
WD1000A03	41531 AMP FLG.TERM,4M/REEL(2.5MIL)	10.000 EA
SP5172A03	37 TYPE L TORQ STAT SWITCH LEAD ASSEMBLY	1.000 EA
HA3104A24	THRUBOLT- 5/16-18 X14.375 X	4.000 EA
MG1025G29	MUNSELL 4.5Y 5.3/0.7 DARK CHARCOAL GREY	0.028 GA
LB1119N	WARNING LABEL	1.000 EA
LC0086	CONNECTION LABEL	1.000 EA
NP1256L	ALUM UL CSA CC	1.000 EA
37PA1052	PALLET PACK GRP, PRINT PK1026A06	1.000 EA
MN416A01	TAG-INSTAL-MAINT no wire (1200/bx) 11/14	1.000 EA

<b>Accessories</b>		
<b>Part Number</b>	<b>Description</b>	<b>Multiplier</b>
37-1404	C FACE KIT	A8

**AC Induction Motor Performance Data**

Record # 37082 - Typical performance - not guaranteed values

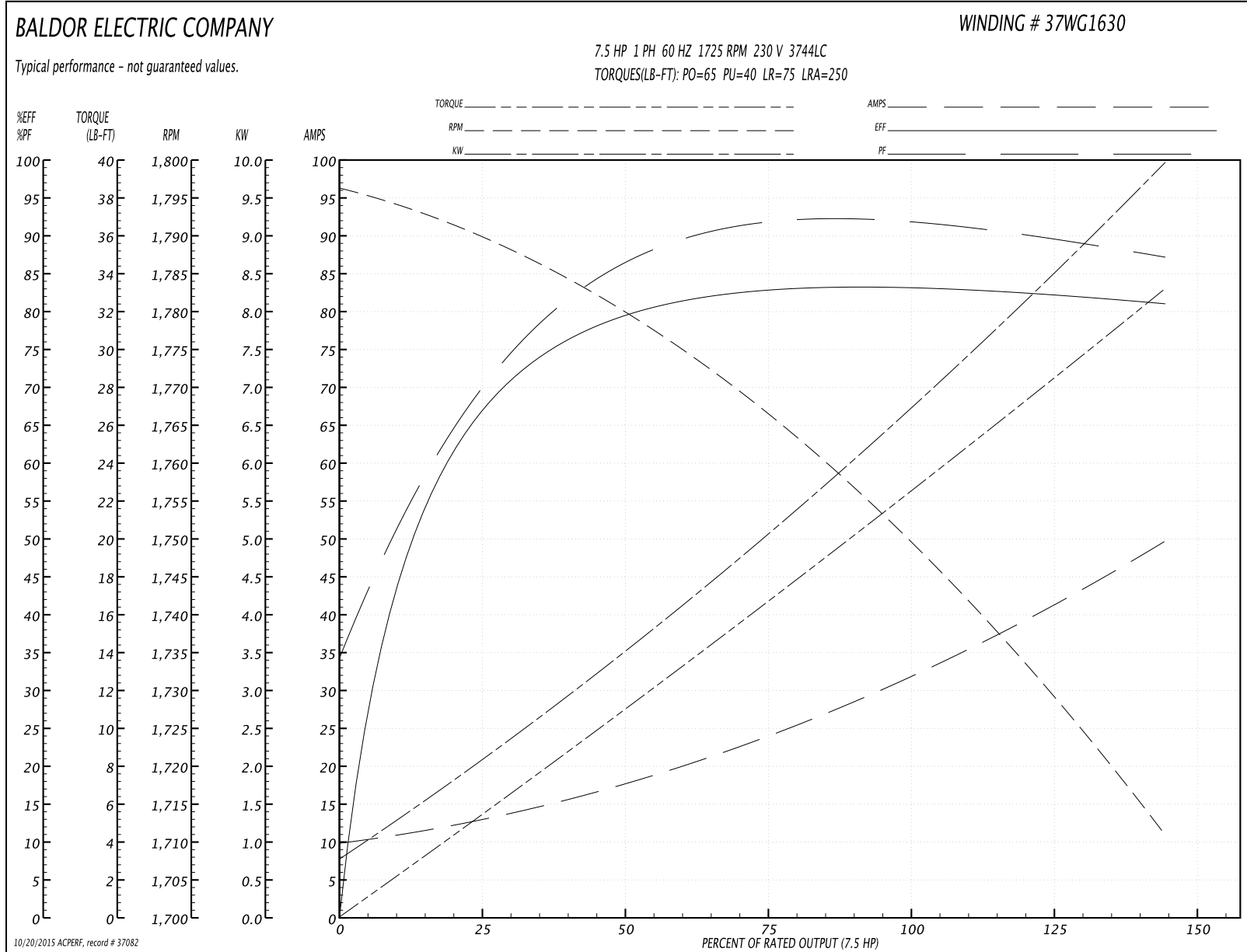
<b>Winding:</b> 37WG1630-R002	<b>Type:</b> 3744LC	<b>Enclosure:</b> ODTF
-------------------------------	---------------------	------------------------

Nameplate Data				230 V, 60 Hz: Single Voltage Motor	
Rated Output (HP)	7.5			Full Load Torque	22.3 LB-FT
Volts	230			Start Configuration	direct on line
Full Load Amps	32			Breakdown Torque	65 LB-FT
R.P.M.	1725			Pull-up Torque	40 LB-FT
Hz	60	Phase	1	Locked-rotor Torque	75 LB-FT
NEMA Design Code	L	KVA Code	J	Starting Current	250 A
Service Factor (S.F.)	1.15			No-load Current	10 A
NEMA Nom. Eff.	82.5	Power Factor	90	Line-line Res. @ 25°C	0.187 Ω A Ph 1.18 Ω B Ph
Rating - Duty	40C AMB-CONT			Temp. Rise @ Rated Load	69°C
S.F. Amps				Temp. Rise @ S.F. Load	77°C

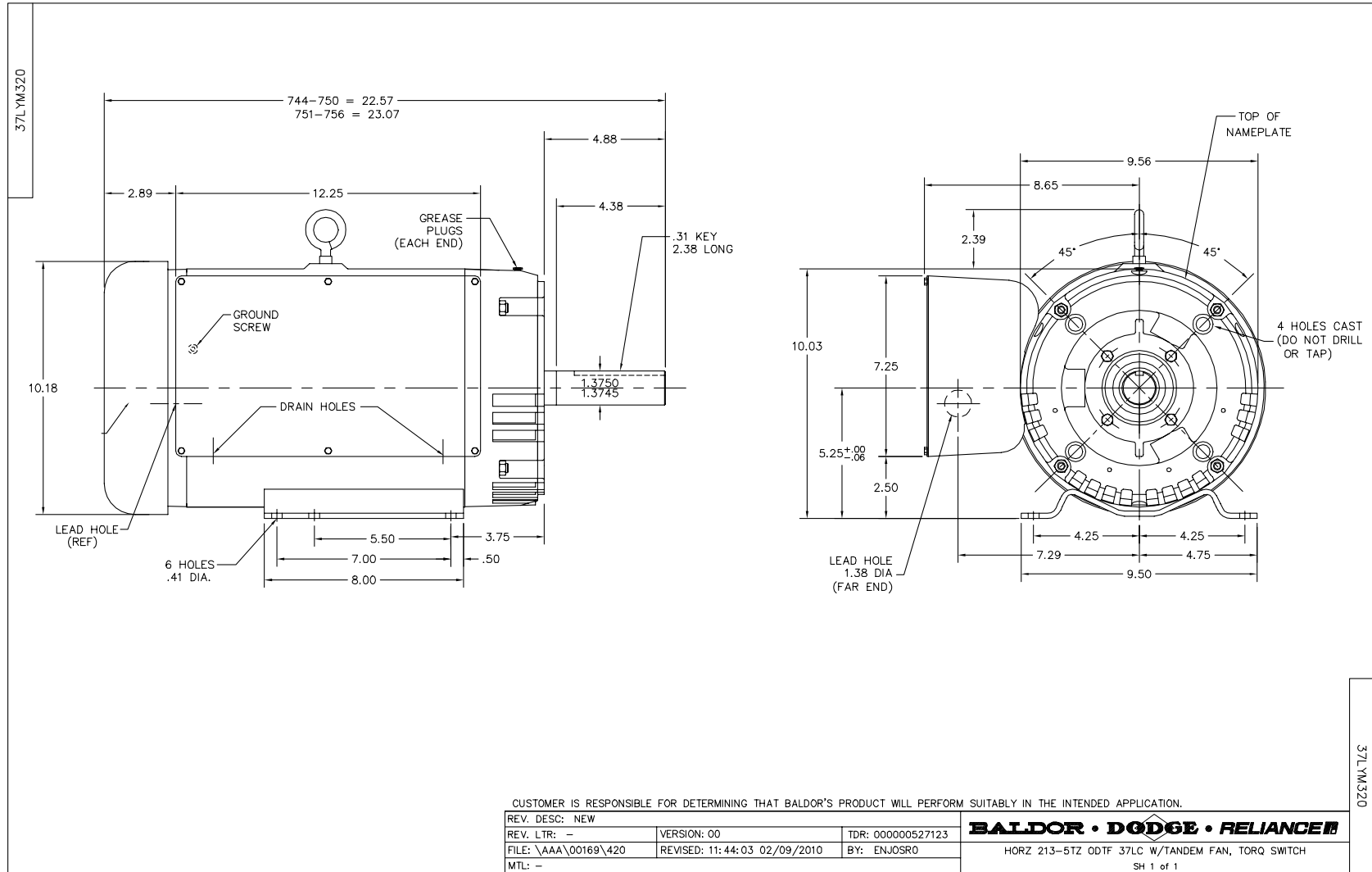
Load Characteristics 230 V, 60 Hz, 7.5 HP

% of Rated Load	25	50	75	100	125	150	S.F.
Power Factor	74	87	91	91	90	87	90
Efficiency	66.3	78.9	82.6	83.6	83.2	80.5	83.4
Speed	1788	1778	1766	1751	1735	1708	1741
Line amperes	12.6	18.1	24.4	31.6	39.9	50	36.6

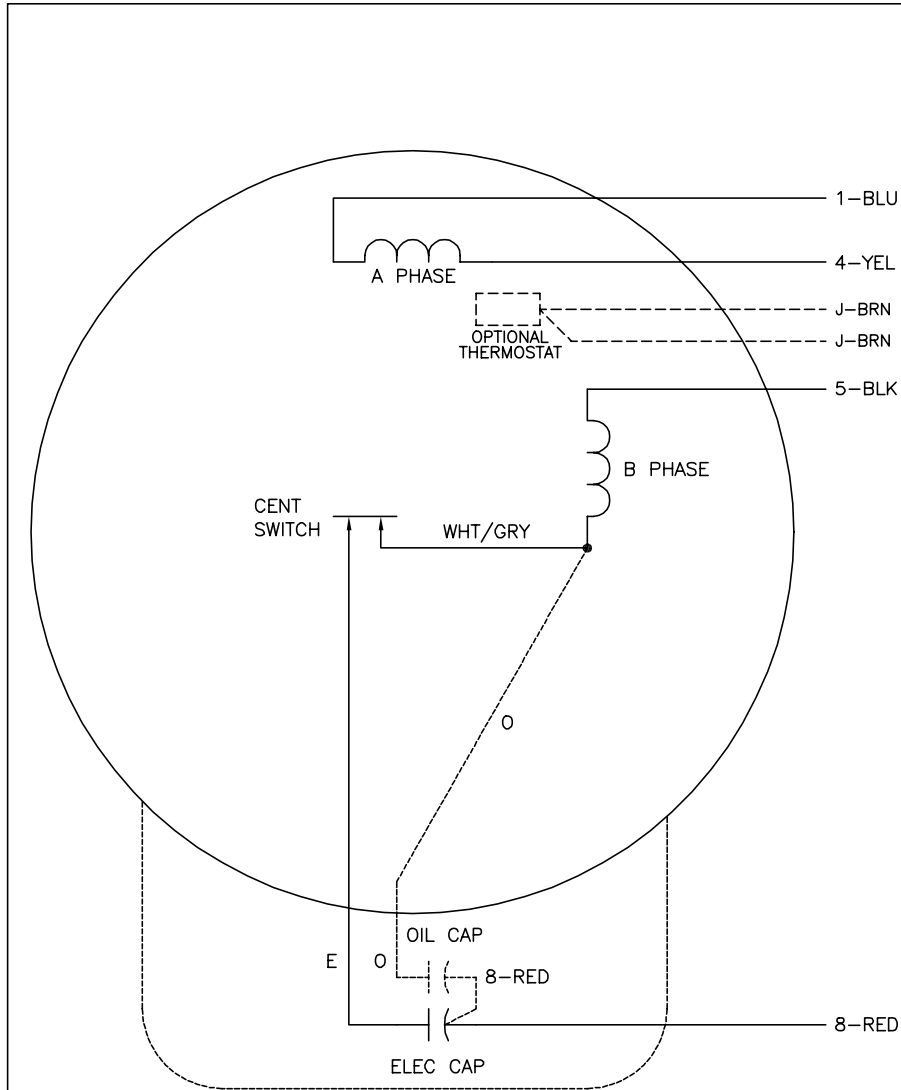
Performance Graph at 230V, 60Hz, 7.5HP Typical performance - Not guaranteed values







CD0086



	LINE A	LINE B
STD	1,8	4,5
OPP	1,5	4,8

NOTES:

1. STANDARD ROTATION IS CCW FACING END OPPOSITE SHAFT EXTENSION.
2. OPTIONAL THERMOSTAT IS PROVIDED WHEN SPECIFIED.
3. MULTIPLE CAPACITORS ARE CONNECTED IN PARALLEL UNLESS OTHERWISE SPECIFIED.
4. OPTIONAL OIL CAPACITOR IS PROVIDED WHEN SPECIFIED.
5. CAPACITORS MAY BE SEPERATELY MOUNTED.
6. LEAD COLORS ARE OPTIONAL. LEADS MUST ALWAYS BE NUMBERED AS SHOWN.

REV. DESC: ADDED CK TO PLANT CODE			
REV. LTR: F	BY: JD	REVISED: 16:01:12 01/07/2002	TDR: 259409
98000D		FILE: AAA00026904	REF: CD0086
		MTL: -	

**BALDOR ELECTRIC Co.**

TYPE L OR LC, SV, REV, 4 LEADS, CAPS MAY BE SEP MTD

CD0086