

BALDOR® • ***RELIANCE***

Product Information Packet

M3535

.33HP, 1140RPM, 3PH, 60HZ, 56, 3414M, TEFC, F1

| Part Detail | | | | | | | |
|-------------|------|----------------|-------|-------------|----------|---------------|------------|
| Revision: | P | Status: | PRD/A | Change #: | | Proprietary: | No |
| Type: | AC | Prod. Type: | 3414M | Elec. Spec: | 34WG5883 | CD Diagram: | CD0005 |
| Enclosure: | TEFC | Mfg Plant: | | Mech. Spec: | 34A061 | Layout: | 34LYA061 |
| Frame: | 56 | Mounting: | F1 | Poles: | 06 | Created Date: | |
| Base: | RG | Rotation: | R | Insulation: | B | Eff. Date: | 07-09-2015 |
| Leads: | 9#18 | | | | | Replaced By: | |
| Literature: | | Elec. Diagram: | | | | | |

| | | | | | | | |
|--------------------------|--------------|----------------|------|-----|---|-------|---|
| Nameplate NP1256L | | | | | | | |
| CAT.NO. | M3535 | | | | | | |
| SPEC. | 34A61-5883 | | | | | | |
| HP | .33 | | | | | | |
| VOLTS | 230/460 | | | | | | |
| AMP | 1.8/9 | | | | | | |
| RPM | 1140 | | | | | | |
| FRAME | 56 | HZ | 60 | PH | 3 | | |
| SER.F. | 1.35 | CODE | K | DES | B | CLASS | B |
| NEMA-NOM-EFF | 70 | PF | 51 | | | | |
| RATING | 40C AMB-CONT | | | | | | |
| CC | | USABLE AT 208V | 2.1 | | | | |
| DE | 6203 | ODE | 6203 | | | | |
| ENCL | TEFC | SN | | | | | |
| | SFA 2/1 | | | | | | |

| Parts List | | |
|---------------|--|----------|
| Part Number | Description | Quantity |
| SA009789 | SA 34A61-5883 | 1.000 EA |
| RA006234 | RA 34A61-5883 | 1.000 EA |
| NS2512A01 | INSULATOR, CONDUIT BOX X | 1.000 EA |
| 34CB3002A | CB CAST W/.88 DIA HOLE | 1.000 EA |
| 34GS1029A01 | GASKET, CONDUIT BOX | 1.000 EA |
| 51XB1016A07 | 10-16 X 7/16 HXWSSLD SERTYB | 2.000 EA |
| 11XW1032G06 | 10-32 X .38, TAPTITE II, HEX WSHR SLTD U | 1.000 EA |
| 34EP3102A01SP | FR ENDPLATE, MACH | 1.000 EA |
| HW5100A03SP | WAVY WASHER (W1543-017) | 1.000 EA |
| 34EP3102A02SP | FR/PU ENDPLATE, MACH | 1.000 EA |
| XY1032A02 | 10-32 HEX NUT DIRECTIONAL SERRATION | 4.000 EA |
| 34FN3002A01SP | EXTERNAL FAN, PLASTIC, .637/.639 HUB W/ | 1.000 EA |
| 34FH4002A01SP | IEC FH NO GREASER | 1.000 EA |
| 51XW1032A06 | 10-32 X .38, TAPTITE II, HEX WSHR SLTD S | 3.000 EA |
| 34CB4517 | CB LID 4 MTG HOLES .22 DIA STAMPED, FOR | 1.000 EA |
| 34GS1031A01 | GASKET, FLAT CONDUIT BOX LID (LEXIDE) | 1.000 EA |
| 51XW0832A07 | 8-32 X .44, TAPTITE II, HEX WSHR SLTD SE | 4.000 EA |
| HW2501D13SP | KEY, 3/16 SQ X 1.375 | 1.000 EA |
| HA7000A04 | KEY RETAINER 0.625 DIA SHAFTS | 1.000 EA |
| MG1000G27 | MED CHARCOAL METALLIC GREY | 0.014 GA |
| 10XF0440S02 | 04-40 X 1/8 TYPE F HEX HD STAINLESS STIC | 2.000 EA |
| HA3100A12 | THRUBOLT 10-32 X 7.375 | 4.000 EA |
| LC0005E01 | CONN.DIA./WARNING LABEL (LC0005/LB1119N) | 1.000 EA |
| NP1256L | ALUM UL CSA CC | 1.000 EA |

| Parts List (continued) | | |
|------------------------|--------------------------|----------|
| Part Number | Description | Quantity |
| 34PA1005 | PKG GRP, PRINT PK1008A06 | 1.000 EA |

| Accessories | | |
|--------------------|--------------------|-------------------|
| Part Number | Description | Multiplier |
| 34-171 | C FACE KIT | A8 |

AC Induction Motor Performance Data
Record # 6833 - Typical performance - not guaranteed values

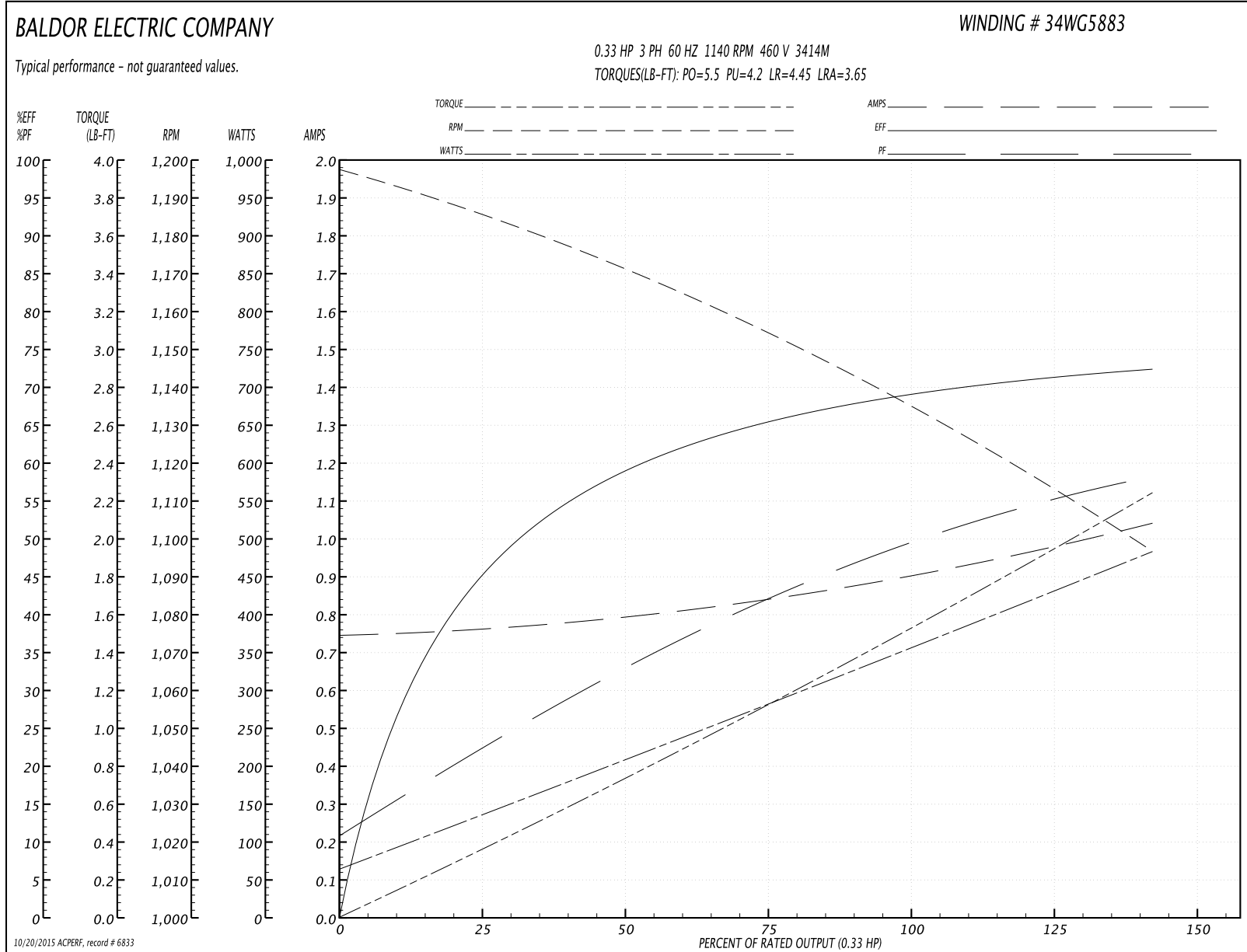
| | | |
|-------------------------------|--------------------|------------------------|
| Winding: 34WG5883-R001 | Type: 3414M | Enclosure: TEFC |
|-------------------------------|--------------------|------------------------|

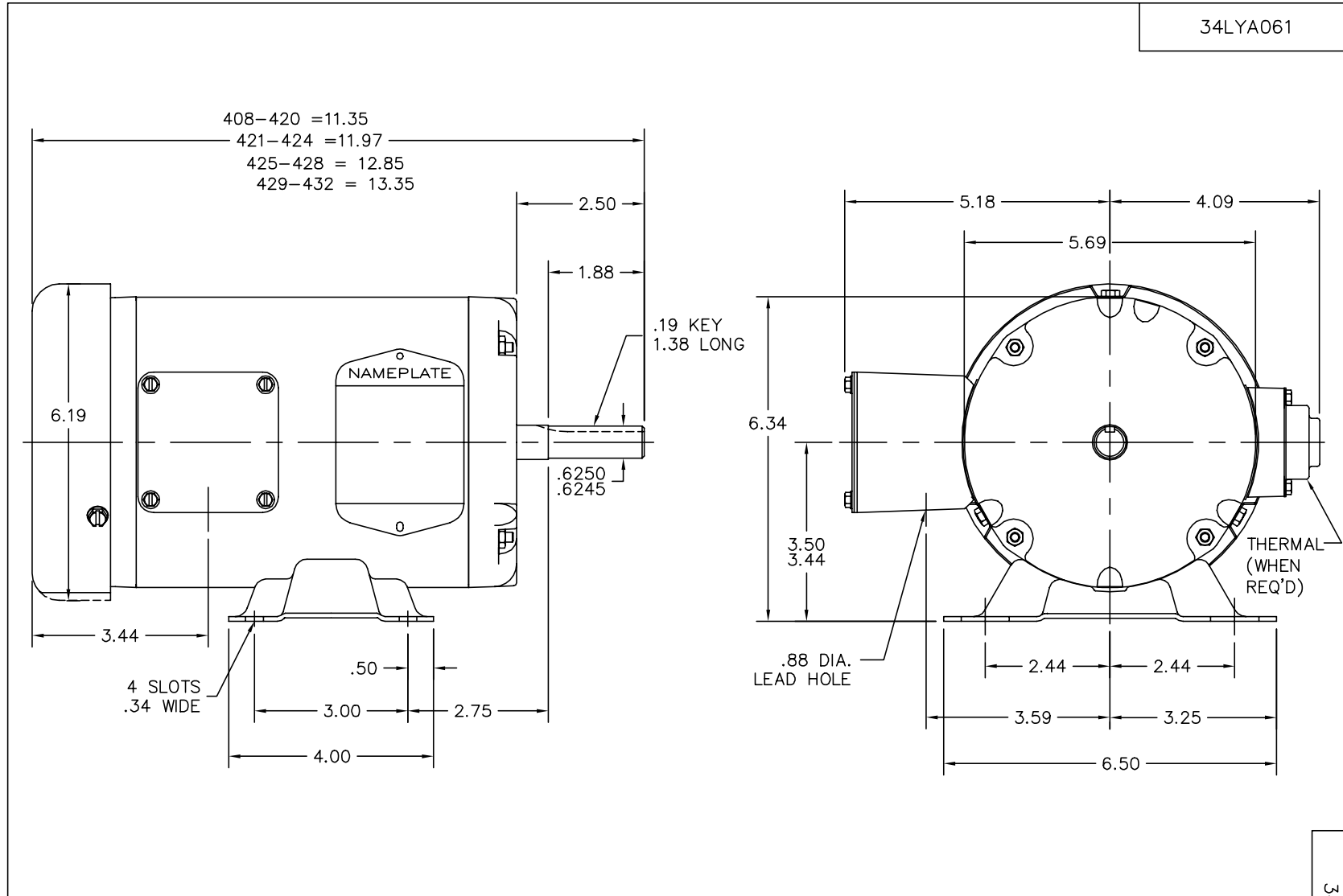
| Nameplate Data | | | | 460 V, 60 Hz: High Voltage Connection | |
|-----------------------|--------------|--------------|----|--|----------------|
| Rated Output (HP) | .33 | | | Full Load Torque | 1.5 LB-FT |
| Volts | 230/460 | | | Start Configuration | direct on line |
| Full Load Amps | 1.8/.9 | | | Breakdown Torque | 5.5 LB-FT |
| R.P.M. | 1140 | | | Pull-up Torque | 4.2 LB-FT |
| Hz | 60 | Phase | 3 | Locked-rotor Torque | 4.45 LB-FT |
| NEMA Design Code | B | KVA Code | K | Starting Current | 3.65 A |
| Service Factor (S.F.) | 1.35 | | | No-load Current | 0.75 A |
| NEMA Nom. Eff. | 70 | Power Factor | 51 | Line-line Res. @ 25°C | 58.3 Ω |
| Rating - Duty | 40C AMB-CONT | | | Temp. Rise @ Rated Load | 46°C |
| S.F. Amps | 2/1 | | | Temp. Rise @ S.F. Load | 58°C |

Load Characteristics 460 V, 60 Hz, 0.33 HP

| % of Rated Load | 25 | 50 | 75 | 100 | 125 | 150 | S.F. |
|-----------------|------|------|------|------|------|------|------|
| Power Factor | 19 | 30 | 42 | 51 | 58 | 64 | 62 |
| Efficiency | 44 | 58 | 66 | 70 | 71 | 72 | 71 |
| Speed | 1185 | 1170 | 1155 | 1135 | 1120 | 1095 | 1110 |
| Line amperes | 0.75 | 0.8 | 0.85 | 0.9 | 0.95 | 1.05 | 1 |

Performance Graph at 460V, 60Hz, 0.33HP Typical performance - Not guaranteed values





CUSTOMER IS RESPONSIBLE FOR DETERMINING THAT MOTOR PERFORMANCE IS SUITABLE IN THE APPLICATION.

| | | |
|---|----------------------|------------------------------|
| REV. DESC: ADDED DIM 3.44, UPDATE ASSEMBLY PART & DRAWING | | |
| REV. LTR: J | VERSION: 02 | TDR: 000000358076 |
| 34LYA061 | FILE: \AAA\00000\561 | REVISED: 13:19:12 02/25/2005 |
| | MTL: - | BY: ENROSTO |

BALDOR ELECTRIC Co.

STD HORZ 34M NEMA 56 TEFC

34LYA061

CD0005

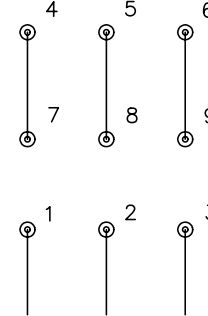


LOW VOLTAGE
(2Y)



LINE

HIGH VOLTAGE
(1Y)



LINE

NOTES:

1. INTERCHANGE ANY TWO LINE LEADS TO REVERSE ROTATION.
2. OPTIONAL THERMOSTATS ARE PROVIDED WHEN SPECIFIED.
3. ACTUAL NUMBER OF INTERNAL PARALLEL CIRCUITS MAY BE A MULTIPLE OF THOSE SHOWN ABOVE.
4. LEAD COLORS ARE OPTIONAL. LEADS MUST ALWAYS BE NUMBERED AS SHOWN.

| | | | |
|---|---------|-------------------------|--------------|
| REV. DESC: REVISE TO SHOW OPTIONAL COLORS | | | |
| REV. LTR: E | BY: JLP | REVISED: 01/19/99 10:15 | TDR: 0171435 |
| 90000 | | FILE: AAA00005140 | MDL: - |
| | | MTL: - | |

BALDOR ELECTRIC Co.

3PH, DV, 9 LEADS

CD0005