

BALDOR® • ***RELIANCE***

Product Information Packet

M3537

.5HP,3450RPM,3PH,60HZ,56,3410M,TEFC,F1

Part Detail							
Revision:	R	Status:	PRD/A	Change #:		Proprietary:	No
Type:	AC	Prod. Type:	3410M	Elec. Spec:	34WG0232	CD Diagram:	CD0005
Enclosure:	TEFC	Mfg Plant:		Mech. Spec:	34A061	Layout:	34LYA061
Frame:	56	Mounting:	F1	Poles:	02	Created Date:	
Base:	RG	Rotation:	R	Insulation:	B	Eff. Date:	08-13-2015
Leads:	9#18					Replaced By:	
Literature:		Elec. Diagram:					

Nameplate NP1256L							
CAT.NO.	M3537						
SPEC.	34A61-232						
HP	.5						
VOLTS	230/460						
AMP	2/1						
RPM	3450						
FRAME	56	HZ	60	PH	3		
SER.F.	1.25	CODE	L	DES	B	CLASS	B
NEMA-NOM-EFF	68	PF	63				
RATING	40C AMB-CONT						
CC		USABLE AT 208V	2.6				
DE	6203	ODE	6203				
ENCL	TEFC	SN					
	SFA 2.4/1.2						

Parts List		
Part Number	Description	Quantity
SA009773	SA 34A61-232	1.000 EA
RA006218	RA 34A61-232	1.000 EA
NS2512A01	INSULATOR, CONDUIT BOX X	1.000 EA
34CB3002A	CB CAST W/.88 DIA HOLE	1.000 EA
34GS1029A01	GASKET, CONDUIT BOX	1.000 EA
51XB1016A07	10-16 X 7/16 HWSSLD SERTYB	2.000 EA
11XW1032G06	10-32 X .38, TAPTITE II, HEX WSHR SLTD U	1.000 EA
34EP3102A01SP	FR ENDPLATE, MACH	1.000 EA
HW5100A03SP	WAVY WASHER (W1543-017)	1.000 EA
34EP3102A02SP	FR/PU ENDPLATE, MACH	1.000 EA
XY1032A02	10-32 HEX NUT DIRECTIONAL SERRATION	4.000 EA
34FN3002A01SP	EXTERNAL FAN, PLASTIC, .637/.639 HUB W/	1.000 EA
34FH4002A01SP	IEC FH NO GREASER	1.000 EA
51XW1032A06	10-32 X .38, TAPTITE II, HEX WSHR SLTD S	3.000 EA
34CB4517	CB LID 4 MTG HOLES .22 DIA STAMPED, FOR	1.000 EA
34GS1031A01	GASKET, FLAT CONDUIT BOX LID (LEXIDE)	1.000 EA
51XW0832A07	8-32 X .44, TAPTITE II, HEX WSHR SLTD SE	4.000 EA
HW2501D13SP	KEY, 3/16 SQ X 1.375	1.000 EA
HA7000A04	KEY RETAINER 0.625 DIA SHAFTS	1.000 EA
MG1000G27	MED CHARCOAL METALLIC GREY	0.014 GA
10XF0440S02	04-40 X 1/8 TYPE F HEX HD STAINLESS STIC	2.000 EA
HA3100A12	THRUBOLT 10-32 X 7.375	4.000 EA
LC0005E01	CONN.DIA./WARNING LABEL (LC0005/LB1119N)	1.000 EA
NP1256L	ALUM UL CSA CC	1.000 EA

Parts List (continued)		
Part Number	Description	Quantity
34PA1005	PKG GRP, PRINT PK1008A06	1.000 EA

Accessories		
Part Number	Description	Multiplier
34-171	C FACE KIT	A8

AC Induction Motor Performance Data
Record # 6559 - Typical performance - not guaranteed values

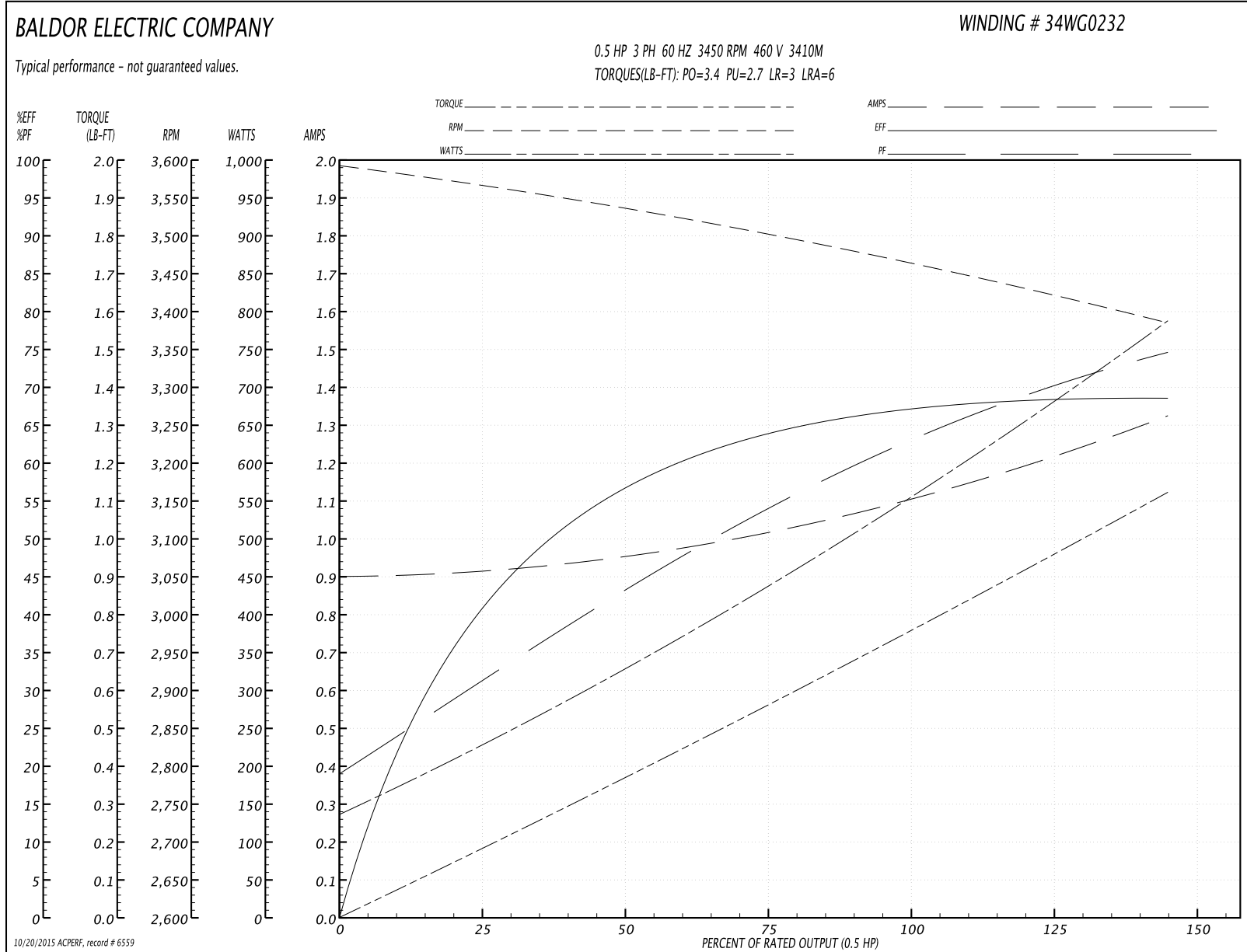
Winding: 34WG0232-R001	Type: 3410M	Enclosure: TEFC
-------------------------------	--------------------	------------------------

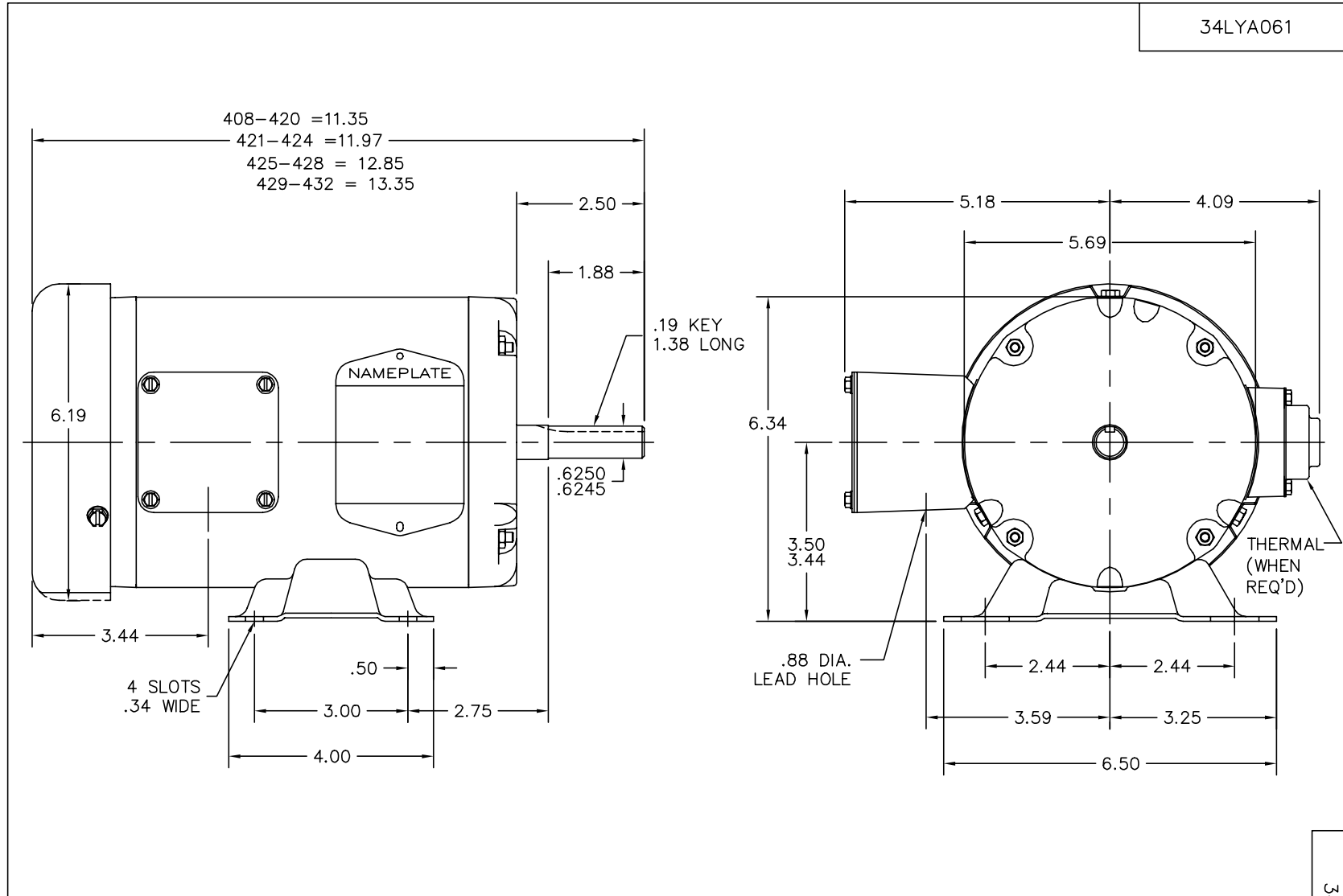
Nameplate Data				460 V, 60 Hz: High Voltage Connection	
Rated Output (HP)	.5			Full Load Torque	0.75 LB-FT
Volts	230/460			Start Configuration	direct on line
Full Load Amps	2/1			Breakdown Torque	3.4 LB-FT
R.P.M.	3450			Pull-up Torque	2.7 LB-FT
Hz	60	Phase	3	Locked-rotor Torque	3 LB-FT
NEMA Design Code	B	KVA Code	L	Starting Current	6 A
Service Factor (S.F.)	1.25			No-load Current	0.9 A
NEMA Nom. Eff.	68	Power Factor	63	Line-line Res. @ 25°C	35.1 Ω
Rating - Duty	40C AMB-CONT			Temp. Rise @ Rated Load	58°C
S.F. Amps	2.4/1.2			Temp. Rise @ S.F. Load	69°C
				Rotor inertia	0.0093 LB-FT ²

Load Characteristics 460 V, 60 Hz, 0.5 HP

% of Rated Load	25	50	75	100	125	150	S.F.
Power Factor	33	44	56	64	70	77	70
Efficiency	41.4	56.3	64	67.2	68.4	68.5	68.4
Speed	3563	3535	3501	3466	3432	3381	3432
Line amperes	0.91	0.97	1.01	1.1	1.2	1.33	1.2

Performance Graph at 460V, 60Hz, 0.5HP Typical performance - Not guaranteed values





CUSTOMER IS RESPONSIBLE FOR DETERMINING THAT MOTOR PERFORMANCE IS SUITABLE IN THE APPLICATION.

REV. DESC: ADDED DIM 3.44, UPDATE ASSEMBLY PART & DRAWING		
REV. LTR: J	VERSION: 02	TDR: 000000358076
34LYA061	FILE: \AAA\00000\561	REVISED: 13:19:12 02/25/2005
	MTL: -	BY: ENROSTO

BALDOR ELECTRIC Co.

STD HORZ 34M NEMA 56 TEFC

34LYA061

CD0005

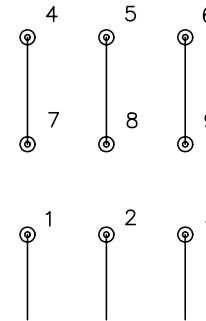


LOW VOLTAGE
(2Y)



LINE

HIGH VOLTAGE
(1Y)



LINE

NOTES:

1. INTERCHANGE ANY TWO LINE LEADS TO REVERSE ROTATION.
2. OPTIONAL THERMOSTATS ARE PROVIDED WHEN SPECIFIED.
3. ACTUAL NUMBER OF INTERNAL PARALLEL CIRCUITS MAY BE A MULTIPLE OF THOSE SHOWN ABOVE.
4. LEAD COLORS ARE OPTIONAL. LEADS MUST ALWAYS BE NUMBERED AS SHOWN.

REV. DESC: REVISE TO SHOW OPTIONAL COLORS			
REV. LTR: E	BY: JLP	REVISED: 01/19/99 10:15	TDR: 0171435
900000		FILE: AAA00005140	MDL: -
		MTL: -	

BALDOR ELECTRIC Co.

3PH, DV, 9 LEADS

CD0005